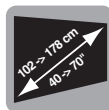




WALM 4070: a strong and safe multi-format mounting system for your flat screen.

NorStone mounts belong to a new generation of brackets combining very neat aesthetics (superb glossy black finish), a very good installation rigidity together with an excellent price/quality relation. Compatible with any flat screen from 40" (102 cm) to 70" (178 cm), the Walm 4070 allows you to install your LCD or Plasma screen ideally, on your living room wall without harming your interior decoration.



Compatibility
40" -> 70"
(102 cm -> 178 cm)



Maximum load
100 kg
220 lbs



Easy to install



Glossy black



Security fastener

Specifications

Design:

Powder coated steel
Glossy black finish
Security fastener
Easy to install



Compatibility:

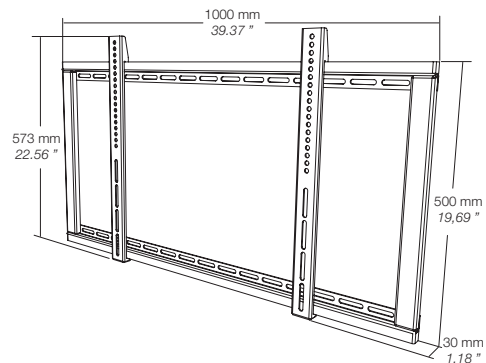
40" (102 cm) to 70" (178 cm) flat screens
VESA 75, VESA 100, VESA 200 x 100, VESA 200,
VESA 400 x 200, VESA 400, VESA 600 X400, VESA 800 x 400

Maximum load: 220 lbs - 100 kg

Dimensions: 39.37" x 22.56" x 1.18" - 1000 x 573 x 30 mm

Accessories: Screws kit, mounting tools, mounting instructions
Screws and pegs for attachment to the wall are not provided.

Useful dimensions



Packaging

Packaging Per Unit :

Quantity per box: 1
Type: Color box
Dimensions (W, H, D): 39.96" x 10.55" x 1.3" - 1015 x 267 x 33 mm
Net/Gross weight: 13 lbs / 14.77 lbs - 5.9 kg / 6.7 kg
Languages: English, French, Spanish, Italian, German, Russian
GenCode: 3760108807235
Delivered disassembled



Packaging Per 5 Units:

Quantity per box: 5 pieces in their one unit box
Type: Brown box
Dimension (W, H, D): 43.11" x 11.61" x 7.67" - 1095 x 295 x 195 mm
Net/Gross weight: 73.41 lbs / 75.61 lbs - 33.3 kg / 34.3 kg
GenCode: 3760108807242



Also available



Walm 2032
Compatible with
flat screens
from 20" to 32"



Walm 3250
Compatible with
flat screens
from 32" to 50"



Walm T-3250i
Tilting and compatible
with flat screens
from 32" to 50"



Curve S / Curve M
Swiveling, tilting - compatible
with VESA 75 et VESA 100
standards



Slim 75-10
Discreet and compatible
with VESA 75 et VESA 100
standards