



NorStone  
design

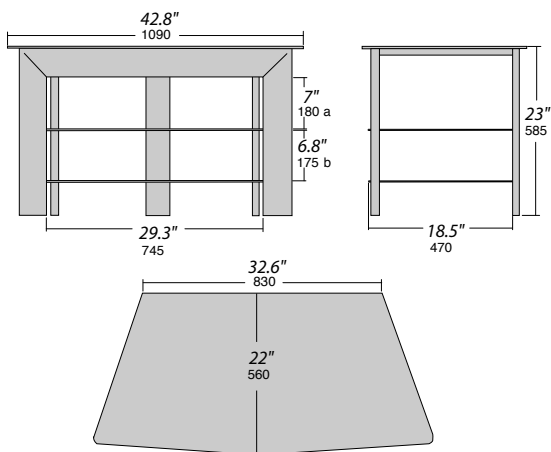
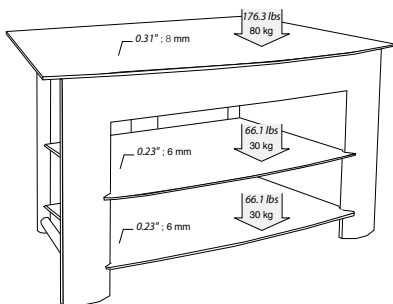
# Present

Present combines the purity of glass and the strength of a sturdy design.

It has been designed to hold a TV set, a plasma or a LCD TV up to 176.3 lbs (80 kg).



## Specifications



**Structure:** Powder coated steel and MDF.  
Shelves: Tempered frosted glass.  
Wire path.

**Maximum load:** Top shelf can hold up to 176.3 lbs; 80 kg  
Internal shelves can hold up to 66.1 lbs; 30 kg

**Dimensions:** Overall dimensions: W42.8" x D22" x H23"  
W1090 x D560 x H585 mm  
Internal shelves: W29.3" x D18.5"  
W745 x D470 mm  
Height between shelves: a: 7"; 180 mm  
b: 6.8"; 175 mm

**Packaging:** Delivered in flat box.  
Accessories: Screws kit, mounting instructions, mounting tools.

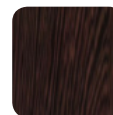
**Brown packaging.**  
Packaging size: W46.4" x D25.2" x H5.7"  
W1180 x D640 x H145 mm

Gross weight: 70.5 lbs; 32 kg

Net weight: 62.8 lbs; 28,5 kg

Number of labels: 1 front and 1 back.

Colors:



Wenge  
Silver



Oak  
Silver



Silver  
Silver

## Details

