



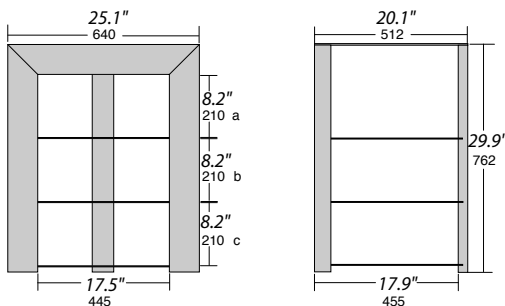
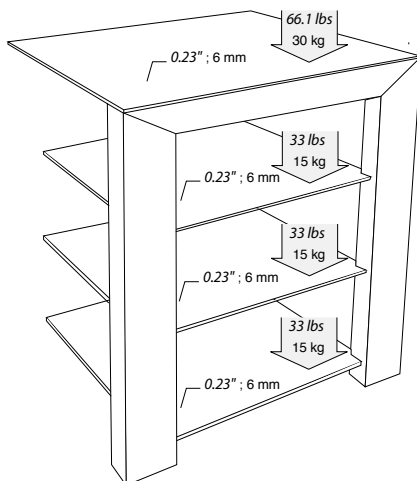
NorStone  
design

# Più

This furniture succeeds to combine an elegant design with an optimized architecture for high-end audio applications. Più's refined shape will make it easy to integrate. Its large opening guarantees an easy access going to the connectors and a good air flow to ensure a perfect cooling. Its structure will bear your entire hi-fi equipment and the top shelf will be an ideal stand for your turntable.



## Specifications



**Structure:** Structure MDF and steel.  
Oak finish.  
Black lacquered tempered glass.

**Maximum load:** Top shelf can hold up to 66.1 lbs; 30 kg  
Internal shelves can hold up to 33 lbs; 15 kg

**Dimensions:** Overall dimensions: W25.1" x D20.1" x H29.9"  
W640 x D512 x H762 mm  
Internal shelves: W17.5" x D17.9"  
W445 x D455 mm  
Superior shelf: W25.1" x D20.1"  
W640 x D512 mm  
Height between shelves: a: 8.2"; 210 mm  
b: 8.2"; 210 mm  
c: 8.2"; 210 mm

**Packaging:** Delivered in flat box.  
Accessories: Screws kit, mounting instructions, mounting tools.

Brown packaging.  
Packaging size: W31.9" x D26.8" x H4.3"  
W810 x D680 x H110 mm  
Gross weight: 58.9 lbs; 26,7 kg  
Net weight: 48.1 lbs; 21,8 kg  
Number of labels: 1 front and 1 back.

**Colors:**



Oak  
black lacquered  
tempered glass



Glossy black  
black lacquered  
tempered glass

## Details



Glossy black finish

On the same range:



Più AV