



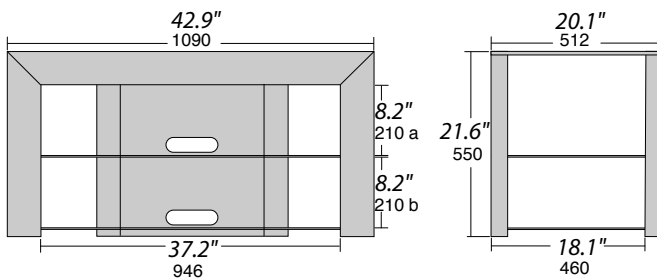
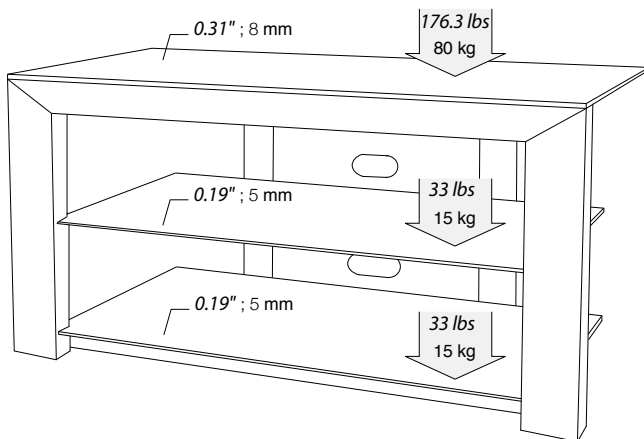
NorStone
design

Più AV

Più AV version will easily carry your plasma or LCD TV (up to 176.3 lbs; 80 kg), your entire home theater equipment and your central speaker.



Specifications



Structure: Structure MDF and steel.
Wenge finish.
White lacquered tempered glass.
Wire path.

Maximum load: Top shelf can hold up to 176.3 lbs; 80 kg
Internal shelves can hold up to 33 lbs; 15 kg

Dimensions: Overall dimensions: W42.9" x D20.1" x H21.6"
W1090 x D512 x H550 mm
Internal shelves: W37.2" x D18.1"
W946 x D460 mm
Superior shelf: W42.9" x D20.1"
W1090 x D512 mm
Height between shelves: a: 8.2"; 210 mm
b: 8.2"; 210 mm

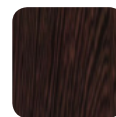
Packaging: Delivered in flat box.
Accessories: Screws kit, mounting instructions, mounting tools.

Brown packaging.
Packaging size: W46.4" x D26.4" x H5.1"
W1180 x D670 x H130 mm

Gross weight: 100.5 lbs; 45,6 kg
Net weight: 89.1 lbs; 40,4 kg

Number of labels: 1 front and 1 back.

Colors:



Wenge
white lacquered
tempered glass



Glossy black
black lacquered
tempered glass



Oak
black lacquered
tempered glass

Details



On the same range:



Più