



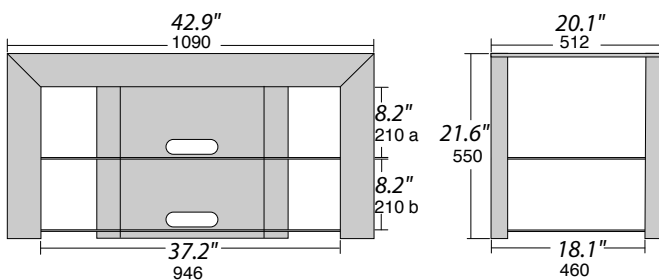
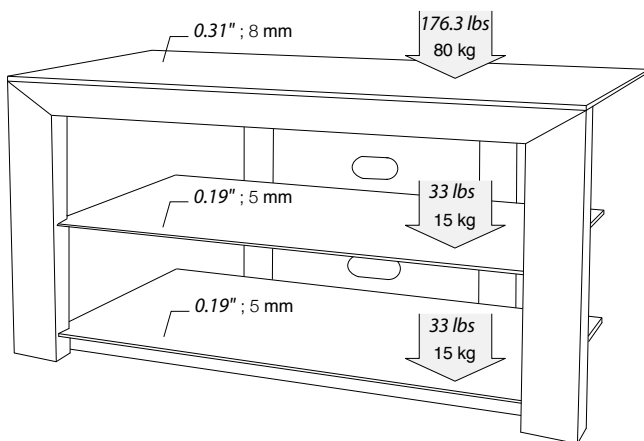
NorStone  
design

# Più AV

Più AV version will easily carry your plasma or LCD TV (up to 176.3 lbs; 80 kg), your entire home theater equipment and your central speaker.



## Specifications



**Structure:** Structure MDF and steel.  
Glossy black finish.  
Black lacquered tempered glass.  
Wire path.

**Maximum load:** Top shelf can hold up to 176.3 lbs; 80 kg  
Internal shelves can hold up to 33 lbs; 15 kg

**Dimensions:** Overall dimensions: W42.9" x D20.1" x H21.6"  
W1090 x D512 x H550 mm  
Internal shelves: W37.2" x D18.1"  
W946 x D460 mm  
Superior shelf: W42.9" x D20.1"  
W1090 x D512 mm  
Height between shelves: a: 8.2"; 210 mm  
b: 8.2"; 210 mm

**Packaging:** Delivered in flat box.  
Accessories: Screws kit, mounting instructions, mounting tools.

Brown packaging.  
Packaging size: W46.4" x D26.4" x H5.1"  
W1180 x D670 x H130 mm

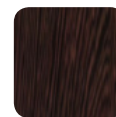
Gross weight: 100.5 lbs; 45,6 kg  
Net weight: 89.1 lbs; 40,4 kg

Number of labels: 1 front and 1 back.

Colors:



**Glossy black**  
black lacquered  
tempered glass



**Wenge**  
white lacquered  
tempered glass



**Oak**  
black lacquered  
tempered glass

## Details



On the same range:



Più