



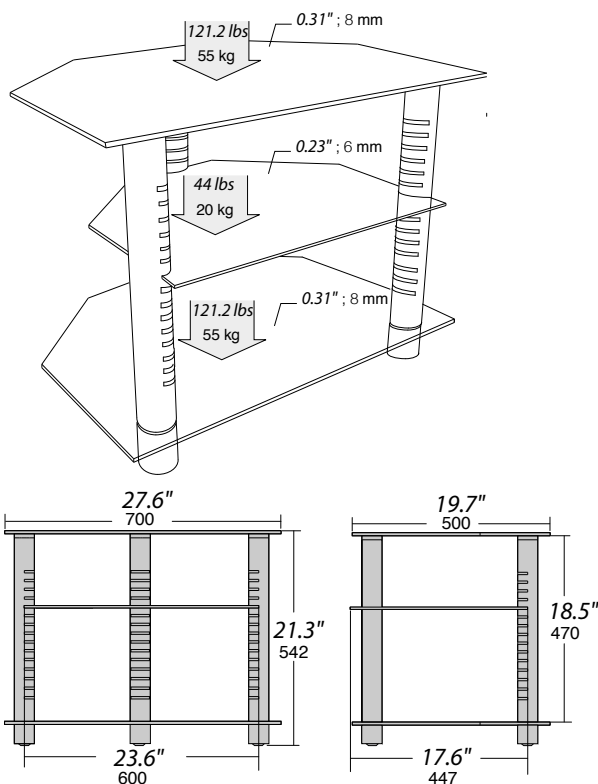
NorStone  
design

# Epur X

This corner piece is based on a simple concept: Convenience and ease of use for a discreet integration of your TV set and your electronic device such as satellite decoders, DVD player, amplifiers...  
The internal shelf is adjustable.



## Specifications



**Structure:** Satin brushed steel finish.  
**Shelves:** Tempered glass.  
**Internal shelf:** Adjustable.  
**Ball-bearing feet.**

**Maximum load:** Top and low shelf can hold up to 121.2 lbs; 55 kg  
Internal shelf can hold up to 44 lbs; 20 kg

**Dimensions:** Overall dimensions: W27.6" x D19.7" x H21.3"  
W700 x D500 x H542 mm  
Internal shelves: W23.6" x D17.6"  
W600 x D447 mm  
Superior shelf: W27.6" x D19.7"  
W700 x D500  
Height between shelves: Adjustable

**Packaging:** Delivered in flat box.  
Accessories: Screws kit, mounting instructions, mounting tools.

Brown packaging.  
Packaging size: W31.5" x D22.2" x H4.5"  
W800 x D565 x H115 mm  
Gross weight: 46.7 lbs; 21,2 kg  
Net weight: 42.4 lbs; 19,25 kg  
Number of labels : 1 front and 1 back.

## Details

On the same range:



Epur 4



Epur C



Epur 3