



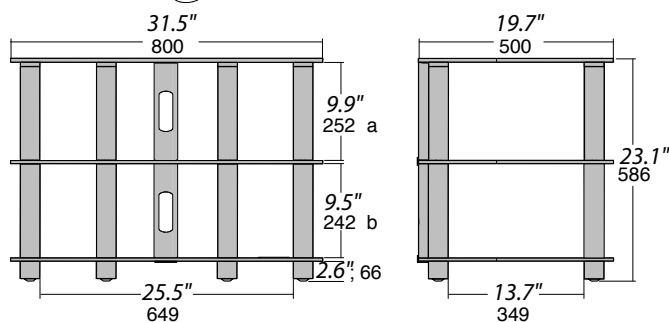
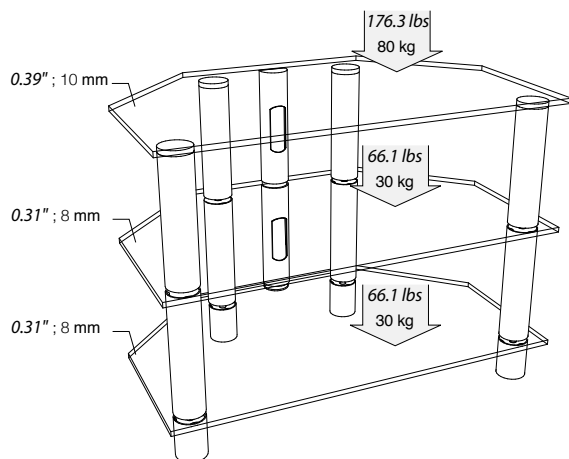
NorStone
design

Epur C

This corner piece is based on a simple concept : Convenience and ease of use for a discreet integration of your TV set and your electronic device such as satellite decoders, DVD player, amplifiers...



Specifications



Structure Satin brushed steel finish.
Shelves: Tempered glass.
Wire path.
Ball-bearing feet.

Maximum load: Top shelf can hold up to 176.3 lbs; 80 kg
Internal shelves can hold up to 66.1 lbs; 30 kg

Dimensions: Overall dimensions: W31.5" x D19.7" x H23.1"
W800 x D500 x H586 mm
Internal shelves: W25.5" x D13.7"
W649 x D349 mm
Superior shelf: W31.5" x D19.7"
W800 x D500
Height between shelves: a: 9.9"; 252 mm
b: 9.5"; 242 mm

Packaging: Delivered in flat box.
Accessories: Screws kit, mounting instructions, mounting tools.

Brown packaging.
Packaging size: W35.8" x D22.8" x H4.9"
W910 x D580 x H125 mm
Gross weight: 69 lbs; 31,3 kg
Net weight: 63.7 lbs; 28,9 kg
Number of labels: 1 front and 1 back.

Details

On the same range:



Epur 4



Epur 3



Epur X