



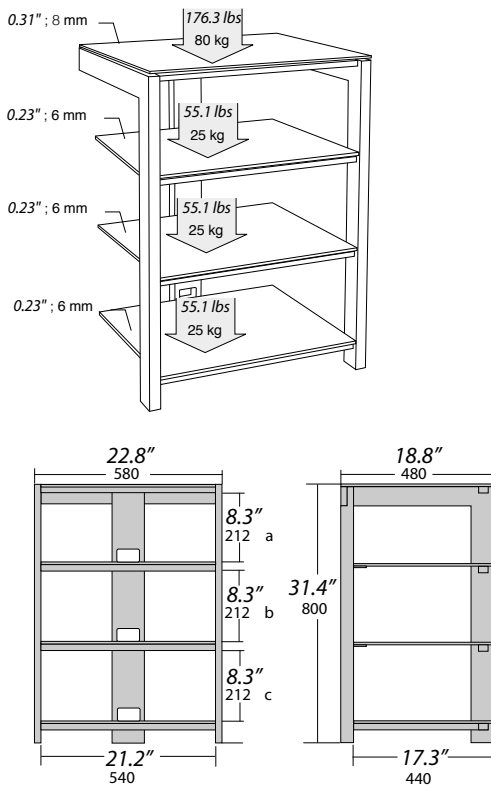
NorStone  
design

# Ekär 4

Ekär 4 provides a fashion and convenient housing for audio, video and TV set (up to 20"). It can also hold a fully hi-fi oriented system with a turntable device on the top shelf.



## Specifications



Structure: Powder coated steel.  
Shelves: Tempered frosted glass.  
Wire path.

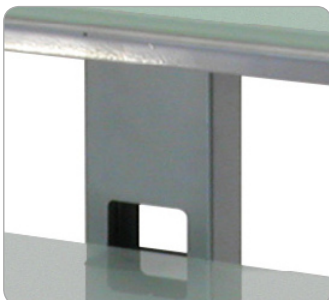
Maximum load: Top shelf can hold up to 176.3 lbs; 80 kg  
Internal shelves can hold up to 55.1 lbs; 25 kg

Dimensions: Overall dimensions: W22.8" x D18.8" x H31.4"  
W580 x D480 x H800 mm  
Internal shelves: W21.2" x D17.3"  
W540 x D440 mm  
Superior shelf: W22.8" x D18.8"  
W580 x D480 mm  
Height between shelves:  
a: 8.3"; 212 mm  
b: 8.3"; 212 mm  
c: 8.3"; 212 mm

Packaging: Delivered in flat box.  
Accessories: Screws kit, mounting instructions, mounting tools.

Brown packaging.  
Packaging size: W33.5" x D24.4" x H5.1"  
W850 x D620 x H130 mm  
Gross weight: 67.2 lbs; 30,5 kg  
Net weight: 62.6 lbs; 28,4 kg  
Number of labels: 1 front and 1 back.

## Details



On the same range:



Ekär 3