



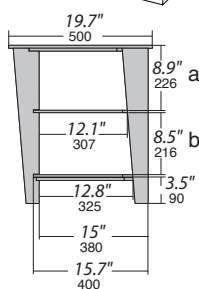
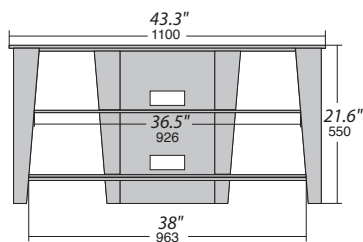
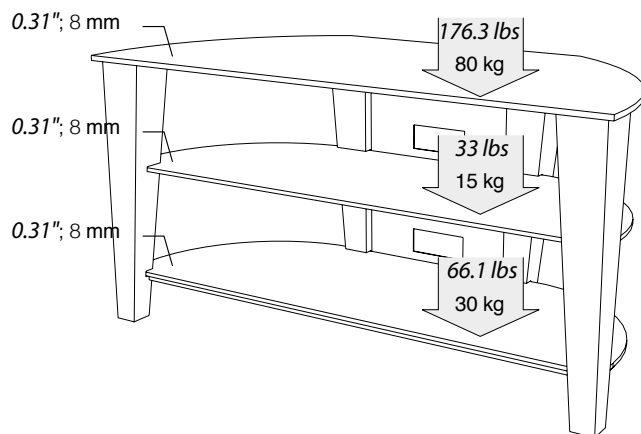
NorStone
design

Century

Century is a «crossbreeding» of texture and materials: The warmth of a leather finish and the purity of the lacquered glass shelves make it a real «must-have» for design addicts. Century remains anyhow a product for AV fanatics. It combines again all the specificities that ensure the good performance of your AV devices. TVs and Home Theatre products feel right in its large and deep shelves: The unnoticeable back path to floor ensures a clean management of the cables.



Specifications



Structure: Medium with black or chocolate leather and white stitching finish.
Shelves: White lacquered tempered glass.

Maximum load: The top shelf can hold up to 176.3 lbs; 80 kg
Internal shelves can hold up to: 33 lbs; 15 kg
66.1 lbs; 30 kg

Dimensions: Overall dimensions: W43.3" x D19.7" x H21.6"
W1100 x D500 x H550 mm
Internal shelves: a: W36.5" x D15"
W926 x D380 mm
b: W38" x D15"
W963 x D380 mm
Superior shelf: W43.3" x D19.7"
W1100 x D500 mm

Height between shelves:
a: 8.9"; 226 mm
b: 8.5"; 216 mm

Packaging: Delivered in flat box.
Accessories: Screws kit, mounting instructions, mounting tools.

Brown packaging.

Gross weight: 89.3 lbs; 40,5 kg
Net weight: 82.7 lbs; 37,5 kg
Number of labels: 1 front and 1 back.



Details

