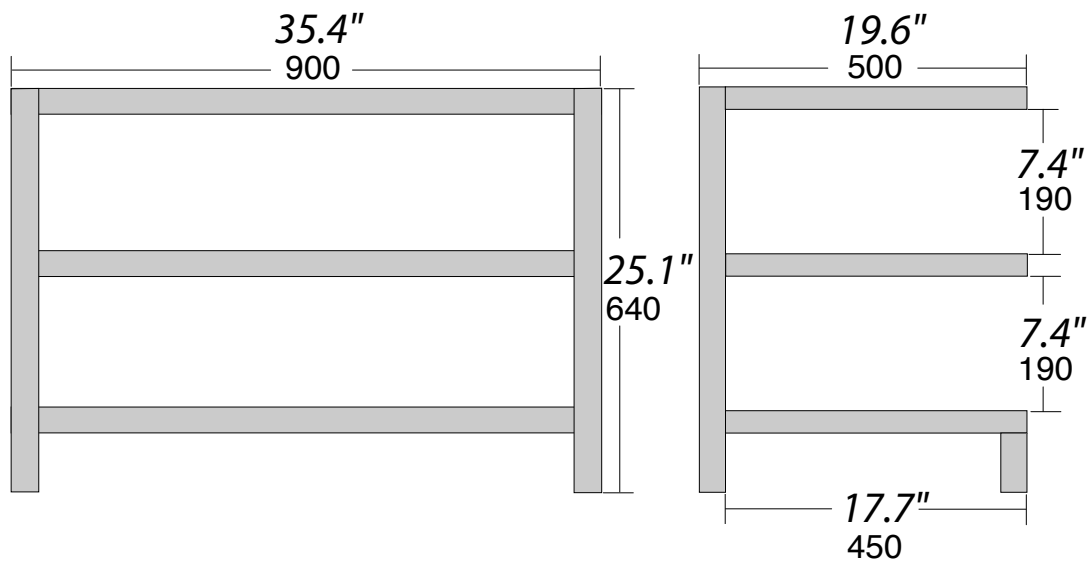
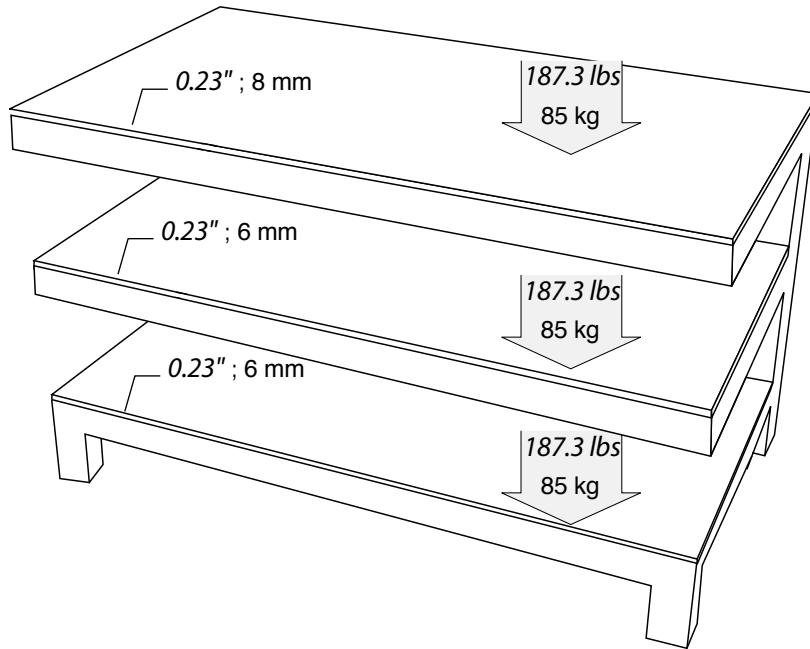


Epsis 2



NorStone
design

" ; mm
lbs ; kg