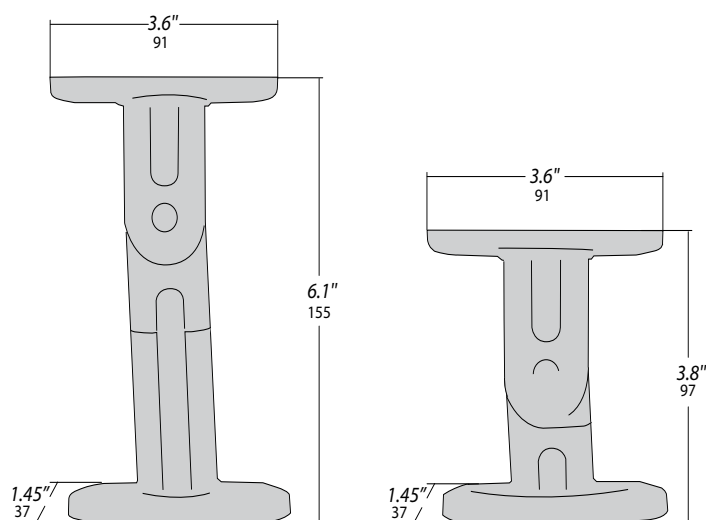


Highland Audio has designed wall brackets of loudspeakers called HiMount. Adapted to Highland Audio Seis speakers, they are perfect for a discreet home integration. They offer tilt and swivel moves possibility so that you can perfectly angle your speakers.



Specifications



Structure: High strenght resistance polymer construction

Dimensions: Maximal size:
L3.6" x H6.1" x P1.45" mm
L91 x H155 x P37 mm
Minimal size:
L3.6" x H3.8" x P1.45" mm
L91 x H97 x P37 mm

Packaging: Delivred by pair in a cardboard box
Accessories: Mounting instructions

Packaging: Cardboard printed on the four sides.
Dimensions: L4.17" x H6.5" x P3.4"
L106 x H166 x P86 mm

Weight (by pair): Net : 0.74 lbs / 0,34 kg;
Gross: 0.86 lbs / 0,39 kg

Details

Screw cap

